
TABLE OF CONTENTS

Specifications	17-2
Quick Spec Guide	17-4
Elevations: 1/4" Scale	17-5
2-Panel Doors	17-7
Bi-Parting (4-Panel) Doors	17-8
Glazing Options: 3" Scale	17-10
Trim Options: 3" Scale	17-11
Standard Mullion Options: 3" Scale	17-12
Lite Cut Information and Options	17-13
Clear Opening and Daylight Specifications	17-15
Unit Sizing, Rough Openings & Masonry Openings	17-17
Section Details: 3" Scale	17-18

PRODUCT SPECIFICATIONS**EXTERIOR FINISH**

Exterior aluminum surfaces are low maintenance extruded aluminum coated with a thermo set polyester finish that meets or exceeds the AAMA 2603 performance standards. Standard colors include Brilliant White, Chestnut Bronze, Desert Sand, French Vanilla, Hartford Green, and Mesa Red.

AURALAST™ WOOD

AuraLast™ wood is fundamentally different from wood resulting from traditional millwork preservation processes in that it uses a proprietary vacuum/pressure process to provide protection throughout the wood parts used to make windows and doors. AuraLast™ wood is distinguished from wood using the current preservation methods by its unique ability to achieve greater penetration of the active ingredients into the wood parts, with a penetration of the treatment being a minimum of 92%.

INTERIOR FINISH

All interior surfaces are unfinished clear pine ready for paint, stain or natural finish. Primed and pre-painted white interiors are available.

FRAME

Frame is assembled from select kiln dried pine using AuraLast™ wood on all exterior parts. Jamb are 1-7/32" thick. One piece anodized aluminum sill with urethane thermal break and extruded polycarbonate sill track to reduce interior frost and condensation. Exterior surface is covered with .062" extruded aluminum extrusion. 2-panel and bi-parting (4-panel) patio doors have a one-piece head and sill. Bi-parting (4-panel) patio door frames are job-site assembled. The basic jamb width is 4-9/16" with a clear pine interior. Jamb extensions are available for most wall thicknesses. Frame corner joints are secured with screws. All patio doors have hinged nailing fin/drip cap and weather-stripping applied. Frame will accept masonry clips. Exterior of frame extrusion is grooved to accept accessories.

PANEL

8/4 heavy select kiln dried pine using AuraLast™ wood on all exterior parts. Selected panel members have Timberstrand core for added strength and dimensional stability. Patio door panels are constructed using 4-3/4" stiles, 4-3/4" top rail and 8-1/4" bottom rail. Exterior has .070" extruded aluminum cladding. Panel corners are joined with water resistant glue and hardwood dowels. Operating panel has adjustable steel tandem ball bearing rollers.

GLAZING

3/4" (19mm) thick sealed insulating glass is constructed from two panes of tempered glass, utilizing a continuous roll formed stainless steel spacer with dual seal sealant. All insulating glass units comply with the performance requirements of IGCC in accordance with either ASTM E774 or E2190.

GLAZING OPTIONS

3/4" tempered insulating glass available in Low-E with Argon, Low-E 366, Clear, Neat Glass, tinted, or obscure, or other specialty glass as specified. Optional Preserve® film is a 0.003" thick polyethylene film with a low tack acrylic adhesive applied to the glass for protection during shipping and installation.

WEATHER-STRIPPING

The operating panel is sealed at the astragal with two TPE bulb weather-strips, at the head and side jambs with a vinyl wrapped closed-cell foam weather-strip, and at the sill with a center-fin pile weather-strip.

HARDWARE

The multi-point locking system is comprised of stainless steel for improved corrosion resistance. A single-point locking mechanism is also available for 2-panel sliding patio doors. The locking mechanism has a built-in safety feature to prevent engaging the locking mechanism while the patio door is open. Handle sets with Keyed Lock Cylinder are Schlage compatible, thereby being easily re-keyed in the field. Bi-parting (4-panel) patio doors utilize the same hardware characteristics on the active panel. Manual shoot bolts (concealed in the edge of the passive panel lock stile) are utilized to secure the passive panel to the head jamb and sill. Handle set finish colors include: Antique Brass, Bright Brass (standard), Bright Brass with PVD anti-tarnish finish, Brushed Chrome, Imitation Oil Rubbed Bronze, Pewter, Polished Chrome and White.

EXTERIOR INSECT SCREENS

Charcoal fiberglass screen cloth (18x16 mesh) set in an aluminum frame (.019ga) with adjustable rollers and a handle with latch. 2-panel sliding patio doors have one sliding screen door. Bi-parting (4-panel) sliding patio doors have two sliding screen doors. Insect screens are intended to allow air and light in and to keep insects out. They are not intended to keep anyone or anything from falling through them. For safety screens or other security devices contact your local building supply retailer.

GRILLES

SDL (Simulated Divided Lites) - extruded aluminum muntins permanently applied to the exterior of the insulating glass unit (not available on textured glass) in 7/8" (22mm), 1-1/8" (28.5mm), or 1-3/8" (34.9mm) widths. SDL may be ordered with a silver shadow bar or without a shadow bar. Clear wood interior muntin bars match the exterior muntin width and are permanently bonded to the interior of the glass.

Full Surround Wood Grilles - Rectangular pattern, unfinished clear pine wood interior grilles in 7/8" (22mm), 1-1/8" (28.5mm), and 1-3/8" (34.9mm) are available in patterns selected by the owner.

GBG (Grilles between the Glass) - 5/8" (15.9mm) flat and 23/32" or 1" contour mounted between the glass panes suspended within the air cavity.

Continued on next page

PRODUCT SPECIFICATIONS

EXTERIOR TRIMS

1-11/16" wide brickmould, 3-7/32" wide flat casing and 3-3/32" wide Adams casing. All aluminum casings have a 1-9/16" thick extruded aluminum sill nosing. Standard 1/2" clad mull cover for mulling units together and 3/4", 1-1/2", 2" and 4" optional mull covers for expanded mulls.

EXTENSION JAMBS

Extension jambs are factory applied to the head and sides of the frame using 9/16" thick select kiln-dried pine. They will accommodate wall depths up to 9-1/4" in one piece and up to 10-9/16" in two pieces. On bi-parting (4-panel) patio doors, extension jambs are included in the frame kit to be applied to the interior of the head and sides of the frame.

HANDING

French View Sliding Patio Doors are specified as X (operating) or O (stationary) panels as viewed from the exterior. Bi-parting (4-panel) Patio Doors can only be handed OXXO.

INSTALLATION

Installation per JELD-WEN Installation Method for Metal Clad Patio Doors JI1005 or JI1014. See www.jeld-wen.com/resources for instructions.

PERFORMANCE

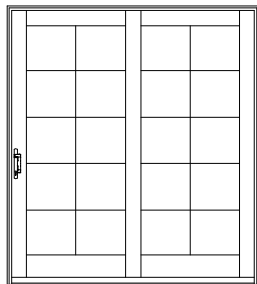
NFRC Certified - (Rated and labeled in accordance with NFRC)

AAMA/NWWDA 101/I.S. 2-97

QUICK SPEC GUIDE

SPECIFICATION	STANDARD FEATURES	OPTIONAL FEATURES <i>Some options may require additional lead times. Consult your JELD-WEN Sales Representative.</i>
EXTERIOR FINISH	<ul style="list-style-type: none"> • Brilliant White • Chestnut Bronze • Desert Sand • French Vanilla • Mesa Red • Hartford Green • Black 	
INTERIOR FINISH	<ul style="list-style-type: none"> • Natural 	<ul style="list-style-type: none"> • Primed or Painted White Finish
SIZE	<ul style="list-style-type: none"> • Width: Fixed Sidelites: 16-3/4, 24-3/4, 30-3/4, 32-3/4, 36-3/4, 48-3/4 Two Panel: 59-1/2, 71-1/2, 95-1/2 Four Panel Bi-Parting: 118, 142, 190 • All Heights: 79-1/2, 82-1/2, 95-1/2 	<ul style="list-style-type: none"> • Width: Fixed Sidelites: 16 to 49 in 1/8" increments Two Panel: 59-1/2 to 95-1/2 in 1/8" increments Four Panel: 118 to 190 in 1/8" increments • All Heights: 71-1/2 to 95-1/2 in 1/8" increments
GLAZING	<ul style="list-style-type: none"> • Low-E Tempered Insulating Glass • Preserve® Protective Film 	<ul style="list-style-type: none"> • Clear • Obscure • Low-E 366 • Neat Glass • Tints: Bronze, Gray, Green • Reflective Tints: Bronze, Gray • Impact Resistant (on 2-Panel only & sidelite)
HARDWARE	<ul style="list-style-type: none"> • Three-Point Locking System • No Key Locking Mechanism 	<ul style="list-style-type: none"> • Single Point Locking Mechanism • Keyed Handle Set (keyed alike also available)
HARDWARE COLOR	<ul style="list-style-type: none"> • Bright Brass 	<ul style="list-style-type: none"> • PVD Bright Brass • White • Antique Brass • Polished Chrome • Brushed Chrome • Pewter • Imitation Oil Rubbed Bronze
SCREENS	<ul style="list-style-type: none"> • Fiberglass 	<ul style="list-style-type: none"> • Aluminum Mesh
SCREEN FRAME COLOR	<ul style="list-style-type: none"> • Color Match Clad 	
GRILLES		<ul style="list-style-type: none"> • 7/8", 1-1/8" and 1-3/8" Removable Full Surround • 5/8" Flat; 23/32" and 1" Profiled GBG 7/8", 1-1/8", 1-3/8" and 2-1/8" SDL options: <ul style="list-style-type: none"> • 7/8", 1-1/8", 1-3/8" SDL with Removable Interior Full Surround Wood Grille • 7/8", 1-1/8", 1-3/8" SDL with Permanently Applied Interior Wood Grille • 7/8", 1-1/8", 1-3/8" SDL with Permanently Applied Interior Wood Grille & Silver Shadow Bar • 2-1/8" Simulated Checkrail
EXTERIOR TRIMS	<ul style="list-style-type: none"> • Drip Cap with Nailing Fin 	<ul style="list-style-type: none"> • Aluminum Brickmould • Aluminum Adams or Flat Casing - 3-7/32" wide
JAMB	<ul style="list-style-type: none"> • 4-9/16" or 6-9/16" 	<ul style="list-style-type: none"> • Minimum: 4-9/16" • Maximum: 9-1/4" one piece • Maximum: 10-9/16" two piece

GENERAL INFORMATION



RIGHT STATIONARY

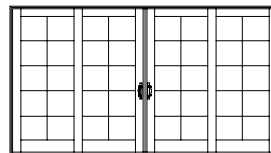
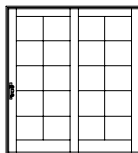
DIMENSIONAL DOORS

Clad Sliding patio doors may be specified as "dimensional" by adjusting the desired rough opening width or height in 1/4" increments from standard.

Clad Sliding patio doors are available in 2-panel and 4-panel (Bi-parting) doors.

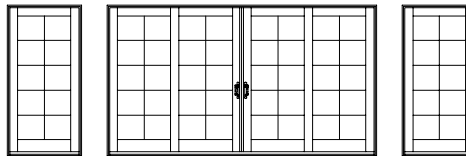
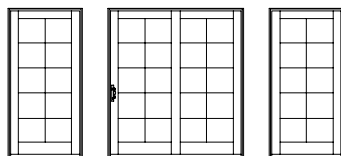
OPERATION

Clad Sliding patio doors are available in a full range of operating and stationary styles. Two-panel doors are available with left or right operation. Four-panel doors are available with two panels operating from the center. Configuration and handing is based on viewing the door from the exterior.



MULTIPLE ASSEMBLIES

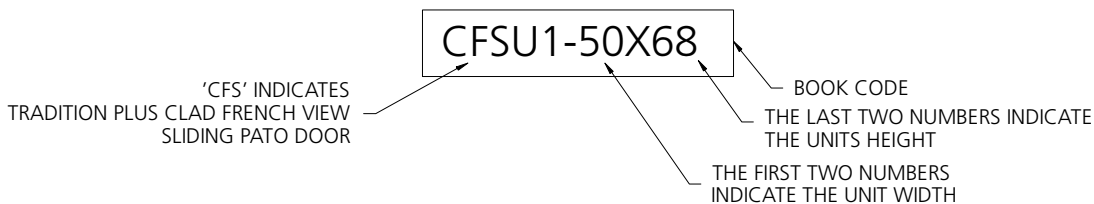
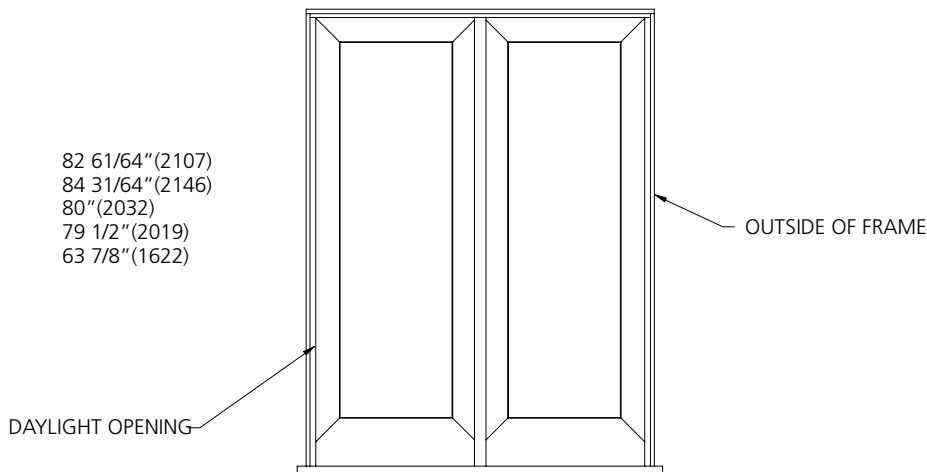
Clad Sliding patio doors are available in a wide variety of multiple panel configurations from the factory, all of which are assembled with continuous sills. Mulling of Clad Sliding patio doors to like products in the field is not recommended. Instead, individual factory assembled units should be installed in contiguous rough openings, in order to provide adequate framing support to assure the best performance of the door systems.



ELEVATION NOTES

ELEVATION DRAWINGS UTILIZE A LIMITED NUMBER OF PROJECTED LINES TO PRODUCE A RUDIMENTARY DRAWING INTENDED TO BE USED IN A SMALL GRAPHICAL SCALE. ELEVATIONS ARE VIEWED PERPENDICULAR FROM THE EXTERIOR OF THE STRUCTURE. IF MORE DIMENSIONS ARE NEEDED, USE THE SECTION DRAWINGS FOR MORE COMPLETE DEPICTIONS.

M.O. Brickmould	62 3/4"(1594)		Masonry Openings for Brickmould, Flat & Adams Casing. (Subtract 1/2" from Masonry Opening for Unit Size)
M.O. Adams/Flat Casing	65 13/16"(1672)		
Rough Opening	60"(1524)		
Frame Size	59 1/2"(1511)		
Daylight Opening	19 3/16"(487)[2]		



GENERAL NOTES

1. CLAD SLIDING PATIO DOOR UNITS ARE AVAILABLE AS OPERATING OR FIXED.
2. UNIT ELEVATIONS ARE SHOWN WITH EXTERIOR TRIM. UNIT SIZES & MASONRY OPENING DIMENSIONS WILL CHANGE WITH THE ADDITION OF EXTERIOR TRIM. SEE 'UNIT SIZING, ROUGH OPENINGS & MASONRY OPENINGS' PAGE FOR EXTERIOR TRIM EFFECTS.
3. OPERATING UNITS ARE AVAILABLE AS LEFT OR RIGHT HAND OPERATION.
4. INTERMEDIATE LOCK RAILS, RAISED PANELS AND 10 1/4" BOTTOM RAILS ARE AVAILABLE ON ALL WIDE STYLE UNITS.

ELEVATION SYMBOL LEGEND:

M.O. MASONRY OPENING

2-PANEL DOORS

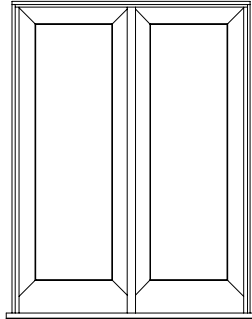
M.O. BRICKMOULD
M.O. ADAMS/FLAT CASING
ROUGH OPENING
FRAME SIZE
DAYLIGHT OPENING

62 3/4"(1594)
65 13/16"(1672)
60"(1524)
59 1/2"(1511)
19 3/16"(487)[2]

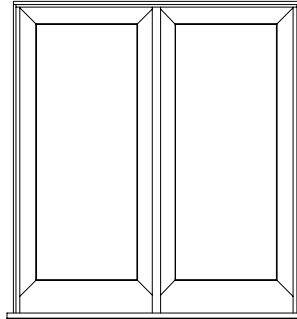
74 3/4"(1899)
77 13/16"(1976)
72"(1829)
71 1/2"(1861)
25 3/16"(640)[2]

98 3/4"(2508)
101 13/16"(2586)
96"(2438)
95 1/2"(2426)
37 3/16"(945)[2]

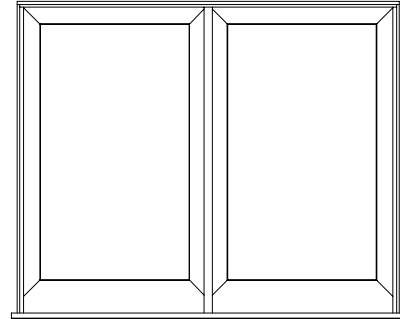
82 61/64"(2107)
84 31/64"(2146)
80"(2032)
79 1/2"(2019)
63 7/8"(1622)



CFSU1-50X68

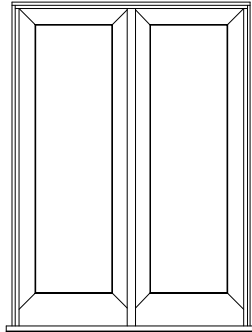


CFSU1-60X68

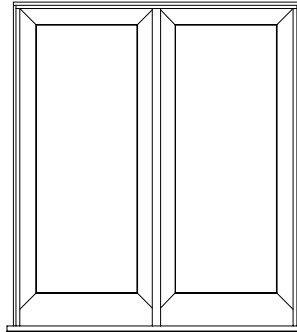


CFSU1-80X68

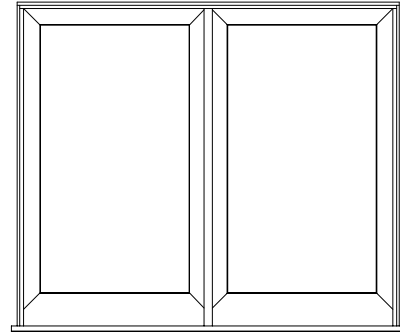
85 61/64"(2183)
87 31/64"(2222)
83"(2108)
82 1/2"(2096)
66 7/8"(1699)



CFSU1-50X6B

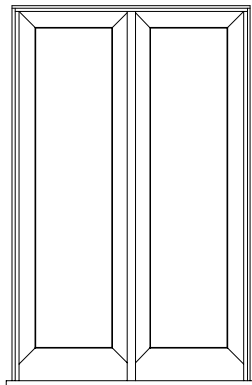


CFSU1-60X6B

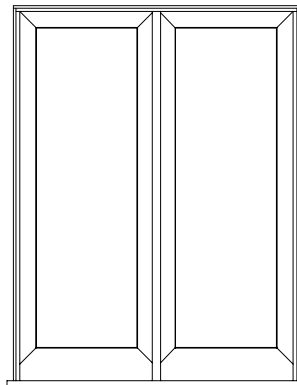


CFSU1-80X6B

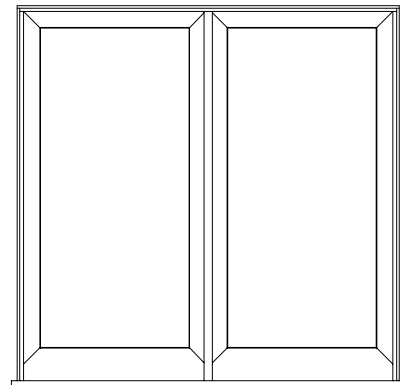
98 61/64"(2513)
100 31/64"(2552)
96"(2438)
95 1/2"(2426)
79 7/8"(2029)



CFSU1-50X80



CFSU1-60X80



CFSU1-80X80

ELEVATION SYMBOL LEGEND:

M.O. = MASONRY OPENING
VALUES IN () ARE IN MILLIMETER CONVERSIONS
VALUES IN [] ARE NUMBER OF DAYLIGHT OPENINGS PER UNIT

Note Elevations shown DO NOT have exterior trim. Subtract 1/2" (12.7) from M.O. (Masonry Opening) for Unit Sizes. Masonry Openings above include Sill Nose, see Trim Options page for Sill Nose specifications. For other Trim Options refer to the Unit Sizing, Rough Opening & Masonry Openings page.

SCALE: 1/4" = 1'

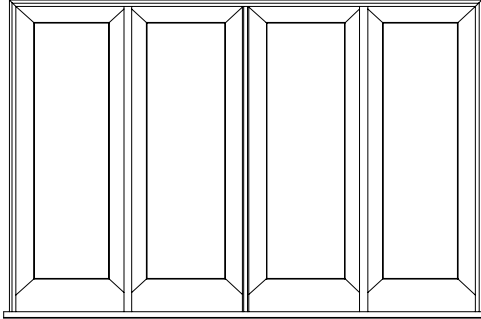
BI-PARTING (4-PANEL) DOORS

M.O. BRICKMOULD
M.O. ADAMS/FLAT CASING
ROUGH OPENING
FRAME SIZE
DAYLIGHT OPENING

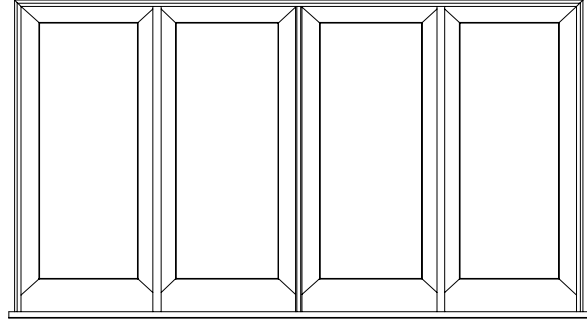
121 3/4" (3092)
124 13/16" (3170)
118 1/2" (3010)
118" (2997)
19 27/64" (493)[2] 18 19/32" (472)[2]

145 3/4" (3702)
148 13/16" (3780)
142 1/2" (3620)
142" (3607)
25 27/64" (645)[2] 24 19/32" (625)[2]

82 61/64" (2107)
84 31/64" (2146)
80" (2032)
79 1/2" (2019)
63 7/8" (1622)

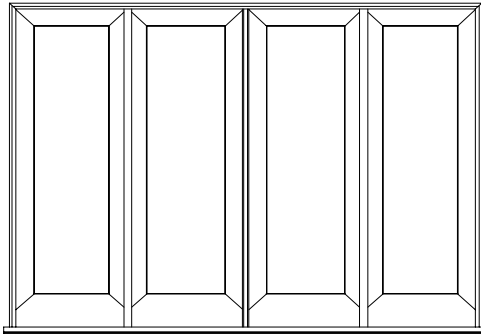


CFBU1-100X68

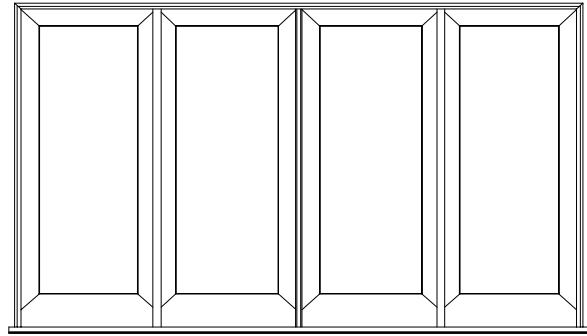


CFBU1-120X68

85 61/64" (2183)
87 31/64" (2222)
83" (2108)
82 1/2" (2096)
66 7/8" (1699)

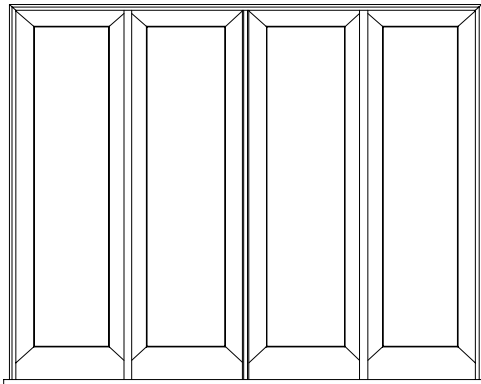


CFBU1-100X80

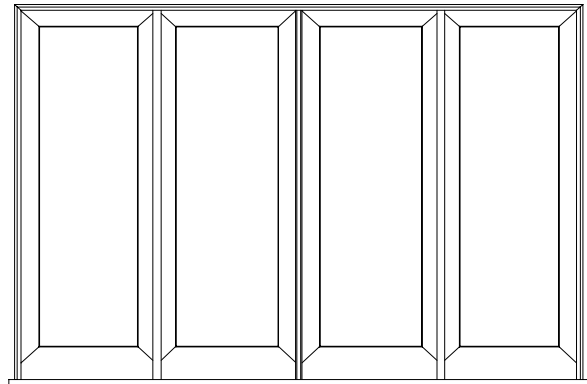


CFBU1-120X80

98 61/64" (2513)
100 31/64" (2552)
96" (2438)
95 1/2" (2426)
79 7/8" (2029)



CFBU1-100X80



CFBU1-120X80

ELEVATION SYMBOL LEGEND:

M.O. = MASONRY OPENING
VALUES IN () ARE IN MILLIMETER CONVERSIONS
VALUES IN [] ARE NUMBER OF DAYLIGHT OPENINGS PER UNIT

Note Elevations shown DO NOT have exterior trim. Subtract 1/2" (12.7) from M.O. (Masonry Opening) for Unit Sizes. Masonry Openings above include Sill Nose, see Trim Options page for Sill Nose specifications. For other Trim Options refer to the Unit Sizing, Rough Opening & Masonry Openings page.

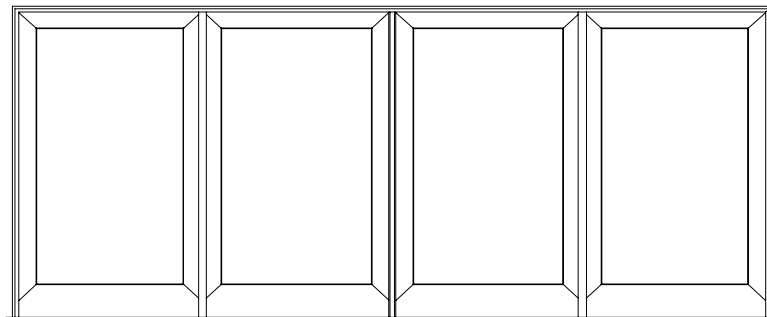
SCALE: 1/4" = 1'

BI-PARTING (4-PANEL) DOORS

M.O. BRICKMOULD
M.O. ADAMS/FLAT CASING
ROUGH OPENING
FRAME SIZE
DAYLIGHT OPENING

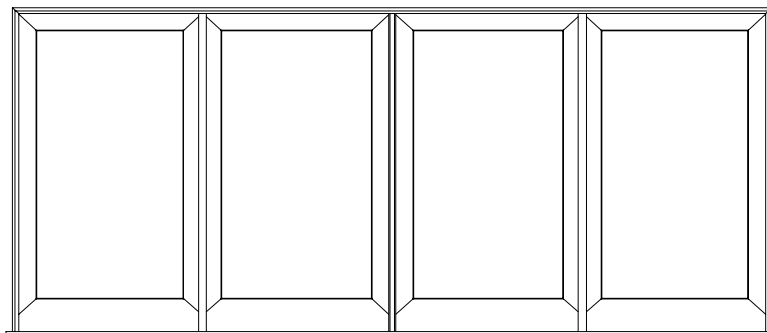
193 3/4" (4921)
196 13/16" (4999)
190 1/2" (4839)
190" (4826)
37 27/64" (950)[2] 36 19/32" (929)[2]

82 51/64" (2107)
84 31/64" (2146)
80" (2032)
79 1/2" (2019)
63 7/8" (1622)



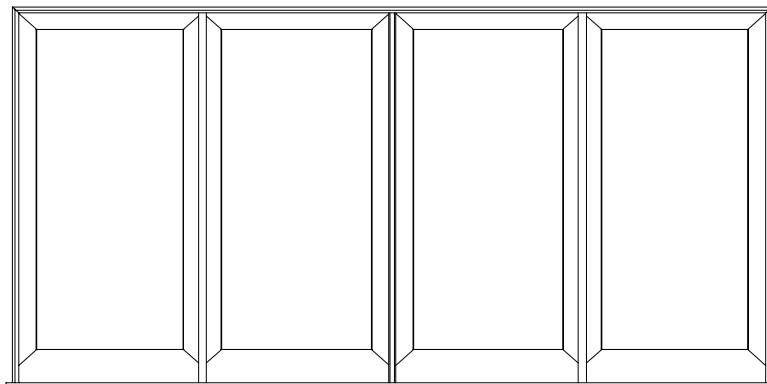
CFBU1-160X68

85 51/64" (2183)
87 11/64" (2222)
83 7/8" (2188)
82 1/2" (2096)
66 7/8" (1689)



CFBU1-160X6B

98 51/64" (2513)
100 31/64" (2552)
96 7/8" (2438)
95 1/2" (2426)
79 7/8" (2029)



CFBU1-160X80

ELEVATION SYMBOL LEGEND:

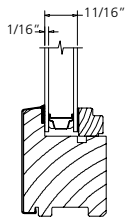
M.O. = MASONRY OPENING
VALUES IN () ARE IN MILLIMETER CONVERSIONS
VALUES IN [] ARE NUMBER OF DAYLIGHT OPENINGS PER UNIT

Note Elevations shown DO NOT have exterior trim. Subtract 1/2" (12.7) from M.O. (Masonry Opening) for Unit Sizes. Masonry Openings above include Sill Nose, see Trim Options page for Sill Nose specifications. For other Trim Options refer to the Unit Sizing, Rough Opening & Masonry Openings page.

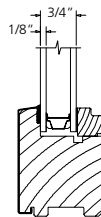
SCALE: 1/4" = 1'

GLAZING OPTIONS

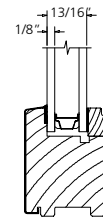
INTERIOR GLAZED



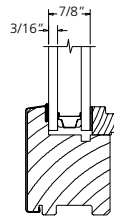
1 1/16" STANDARD



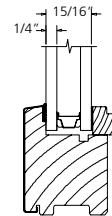
3/4" STANDARD



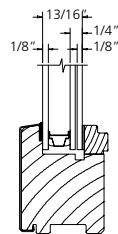
1 3/16" STANDARD



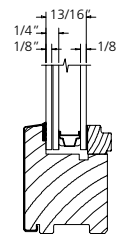
7/8" STANDARD



1 5/16" STANDARD



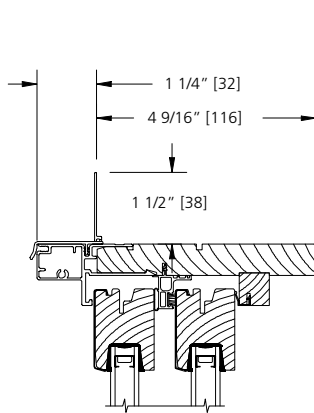
**LAMINATED GLASS CLEAR
OR LOW E**



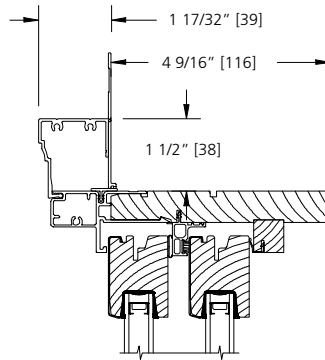
LAMINATED GLASS TINTED

TRIM OPTIONS

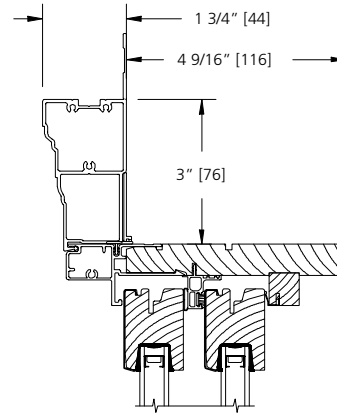
EXTERIOR TRIM



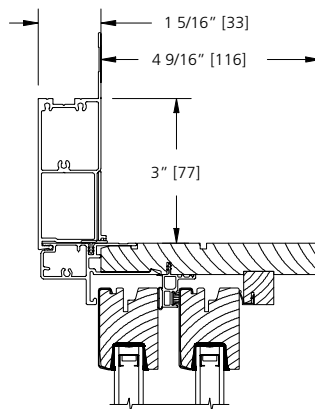
STANDARD



2" BRICKMOULD



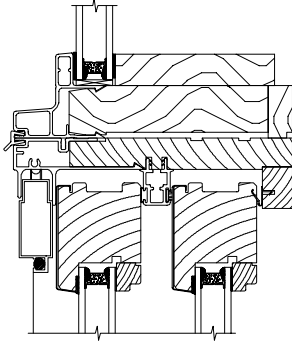
ADAMS CASING



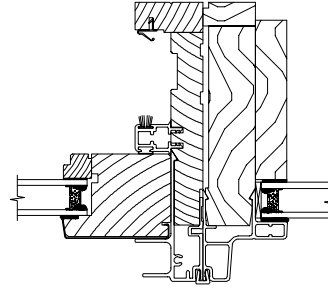
3 1/2" FLAT CASING

SCALE: 3" = 1'

STANDARD MULLION OPTIONS



SLIDING PATIO DOOR
WITH TRANSOM



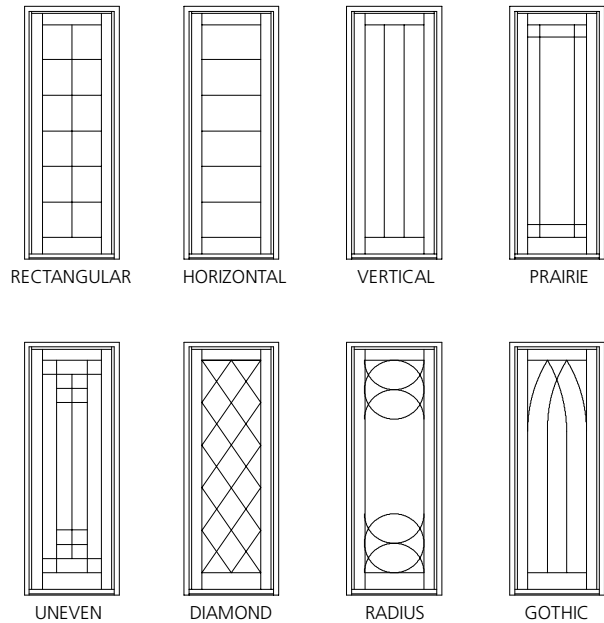
SLIDING PATIO DOOR
WITH SIDELIGHT

LITE CUT INFORMATION

Clad Sliding patio doors are available with removable grilles in 7/8", 1-1/8" and 1-3/8" widths, with grilles between the glass (GBG), or with Simulated Divided Lites. Standard lite cuts are rectangular.

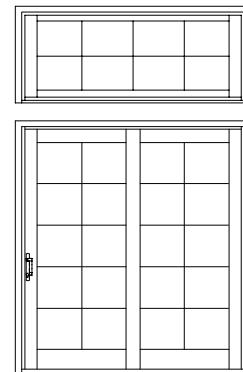
LITE CUT OPTIONS

Special lite cut patterns can include a wide variety of straight line and radius patterns. The illustrations shown here represent just a few of the possibilities. Rectangular, horizontal, vertical and Prairie lite patterns are available in all standard size Clad Sliding patio doors. Uneven, diamond, radius and Gothic lite cuts are available, subject to approval. Approvals are based on the ability to fulfill the design requirement while maintaining the construction integrity of the finished product.

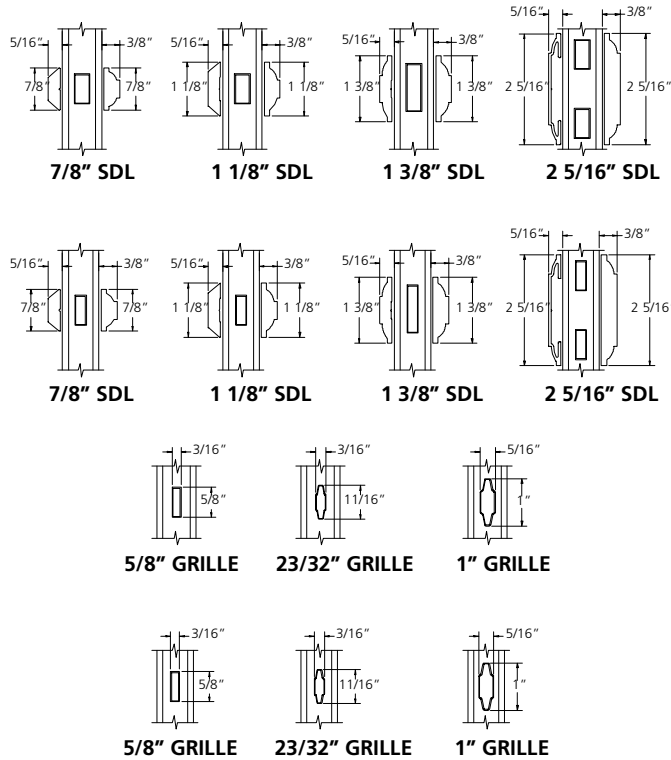


BAR ALIGNMENT

Alignment of divided lite muntin bars from one product to the next is often required by fine architectural design. Wood grilles, GBG's, and Simulated Divided Lites may be specified with muntin bars aligned.



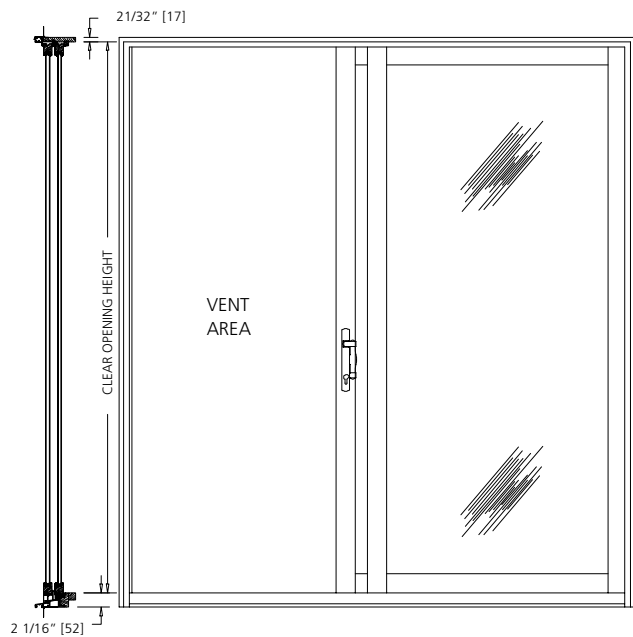
DIVIDED LITE OPTIONS



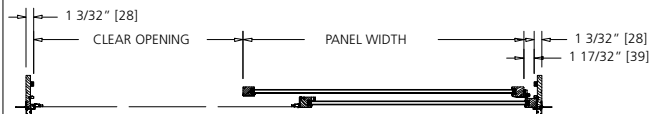
GRILLE PROFILES:

3/16" x 5/8"	ALLMETAL 1021101018XX140
3/16" x 1"	ALLMETAL 1020101018XX164
1/4" x 5/8"	ALLMETAL 1020102018XX140
1/4" x 1"	ALLMETAL 1020102018XX164
5.5mm x 18mm CONTOUR	ALLMETAL 1020301010XX255
8mm x 25mm CONTOUR	ALLMETAL 1020301018XX380

CLEAR OPENING INFORMATION



HORIZONTAL
Two Panel Assembly



Clear Opening Formulas:

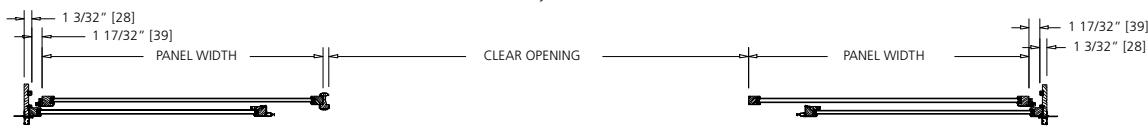
VERTICAL

Frame - 4 3/16" = Clear Opening

HORIZONTAL

Frame - (Panel Width + 7 5/8") = Clear Opening

HORIZONTAL
Four Panel Assembly



Clear Opening Formulas:

VERTICAL

Frame - 4 3/16" = Clear Opening

HORIZONTAL

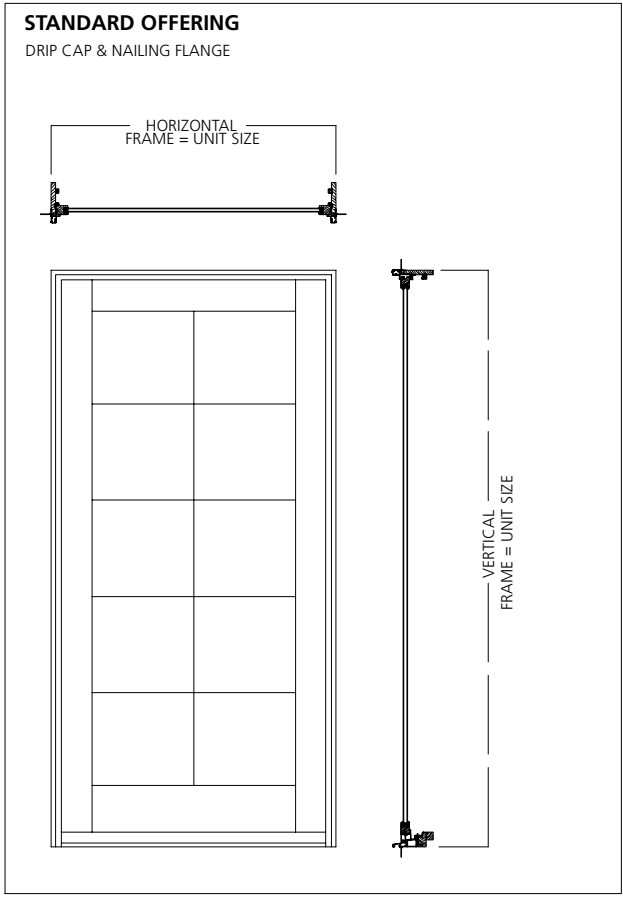
Frame - ((2 x (Panel Width + 5 3/4")) + 1 3/4") = Clear Opening

DAYLIGHT & CLEAR OPENING SPECIFICATIONS

Unit Description & Size	Clear Opening				Clear Opg. Height (in.)	Daylight Opg. (Interior) (sq.ft.)
	Active Panel Open Only		Both Panels Open			
	Clear Opg. Width (in.)	Clear Opg. (sq.ft.)	Clear Opg. Width (in.)	Clear Opg. (sq.ft.)		
CLAD VIEW SLIDING DOOR						
50X68	22.77	12.02			76.02	16.89
60X68	28.77	15.19			76.02	22.22
80X68	40.77	21.52			76.02	32.89
50X6B	22.77	12.49			79.02	17.68
60X6B	28.77	15.79			79.02	23.26
20X6B	40.77	22.37			79.02	34.43
50X80	22.77	14.55			92.01	21.11
60X80	28.77	18.38			92.01	27.78
80X80	40.77	26.05			92.01	41.11
CLAD VIEW BI-PARTING SLIDING DOOR						
100X68	22.88	12.08	46.15	24.36	76.02	33.78
120X68	28.88	15.24	58.15	30.70	76.02	44.44
160X68	40.88	21.58	82.15	43.37	76.02	65.78
100X6B	22.88	12.55	46.15	25.32	79.02	35.36
120X6B	28.88	15.85	58.15	31.91	79.02	46.53
160X6B	40.88	22.43	82.15	45.08	79.02	68.86
100X80	22.88	14.62	46.15	29.49	92.01	42.22
120X80	28.88	18.45	58.15	37.15	92.01	55.56
160X80	40.88	26.12	82.15	52.49	92.01	82.22

Note: Square feet of clear opening = square feet of vent.
 Some of the primed units have slightly smaller openings.
 Minimum Egress width is 32 inches.
 Minimum Egress height is 6' 8".
 Where openings have two operating leaves with no mullion, one leaf must meet these requirements.
 These minimum requirements do not apply if a means of Egress is provided elsewhere in the building.

**UNIT SIZING, ROUGH OPENINGS
& MASONRY OPENINGS**



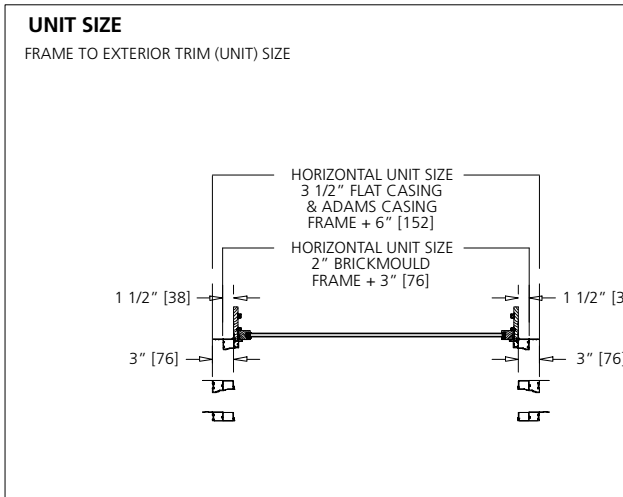
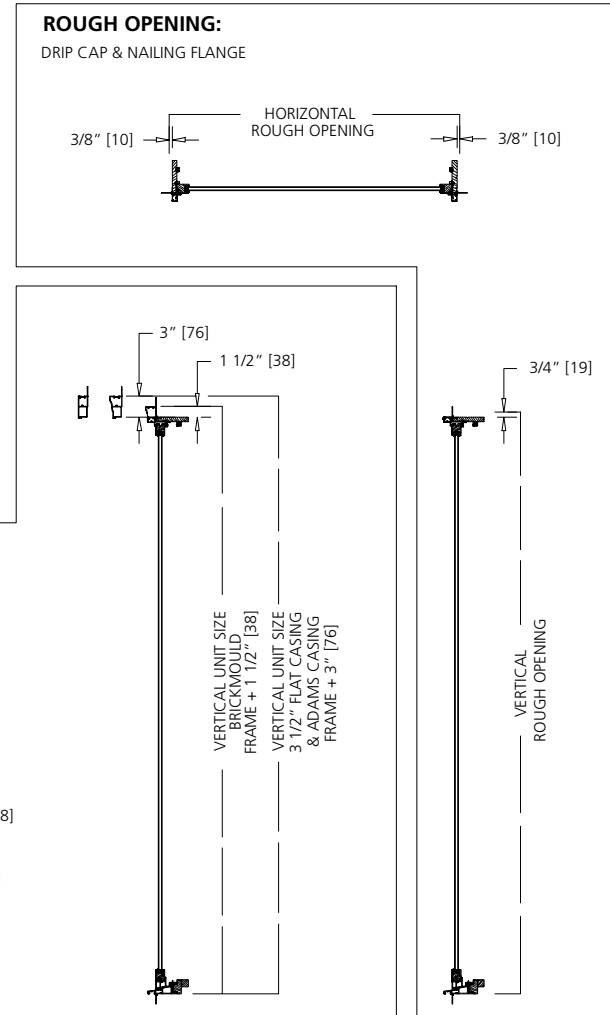
GENERAL NOTES:

UNITS WITH NO EXTERIOR TRIM OR DRIP CAP & NAILING FLANGE:
FRAME SIZE = UNIT SIZE

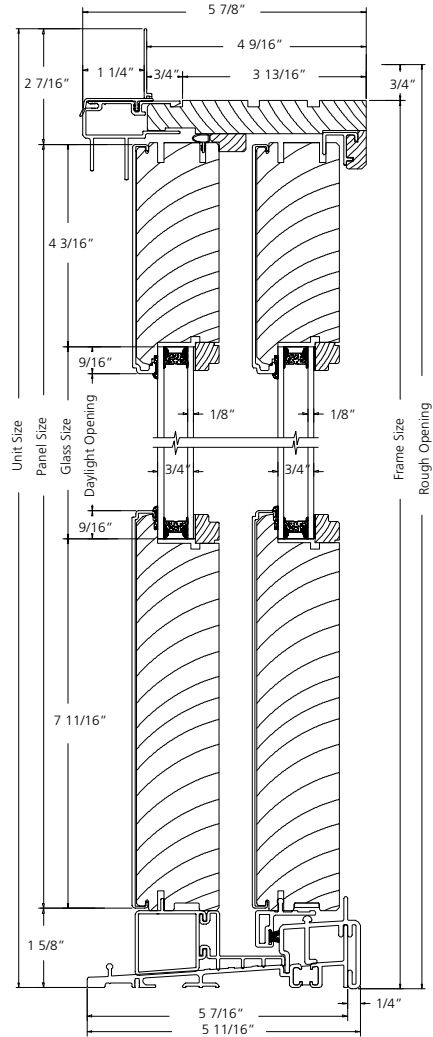
UNIT SIZE IS ALWAYS THE EXTREME SIZE OF THE DOOR WITH OR WITHOUT TRIM (DRIP CAP & NAILING FLANGE ARE NOT ADDED TO ANY UNIT SIZING)

ROUGH OPENING IS ALWAYS 3/4" OVER FRAME SIZE OF THE DOOR

MASONRY OPENING IS ALWAYS 1/2" OVER THE UNIT SIZE OF THE DOOR

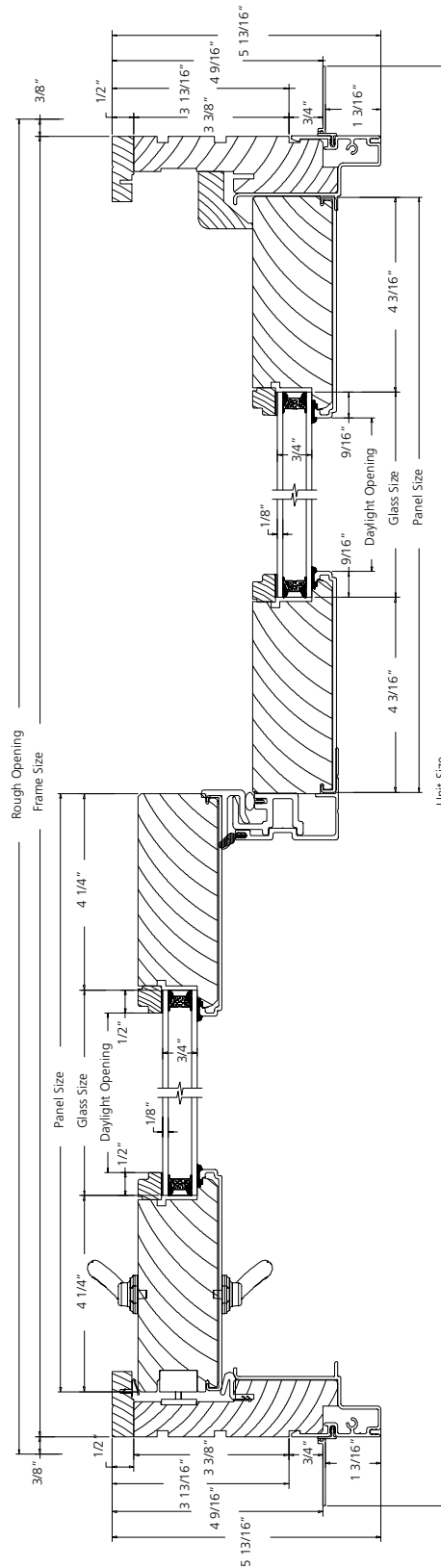


2-PANEL DOOR



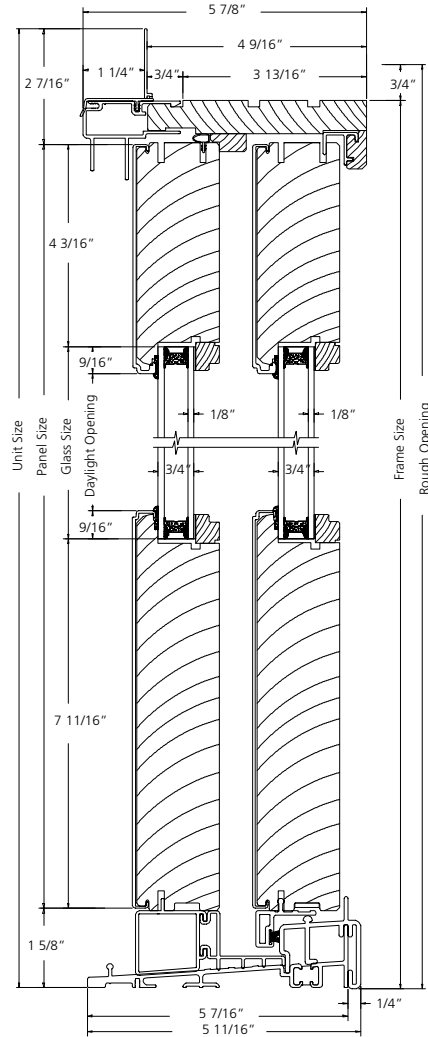
VERTICAL SECTION

2-PANEL DOOR



HORIZONTAL SECTION

BI-PARTING (4-PANEL) DOOR



VERTICAL SECTION

